

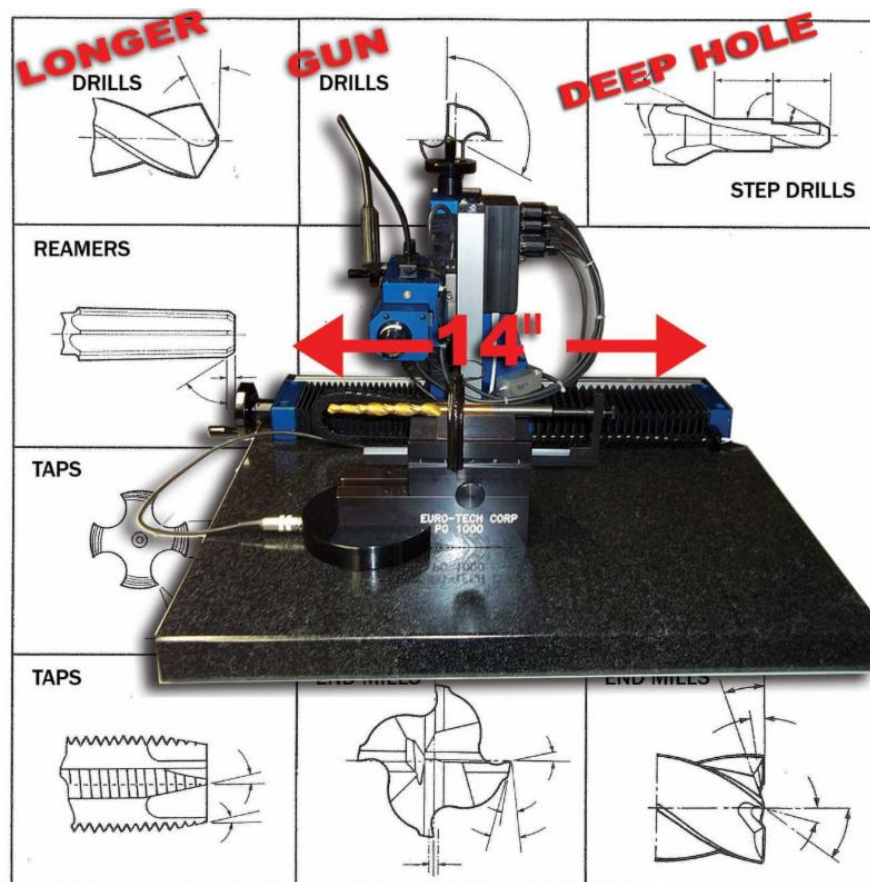
Having trouble viewing this email? <http://www.eurotechcorp.com>



PG 1000

Cutting Tool
Inspection System

Special **Extended Base** now available
for additional 6" of horizontal travel!



At 14 inches, this base is 6 inches longer than our other models making it the perfect system for inspecting longer tools such as gun drills and deep hole step drills or any other deep hole drills.

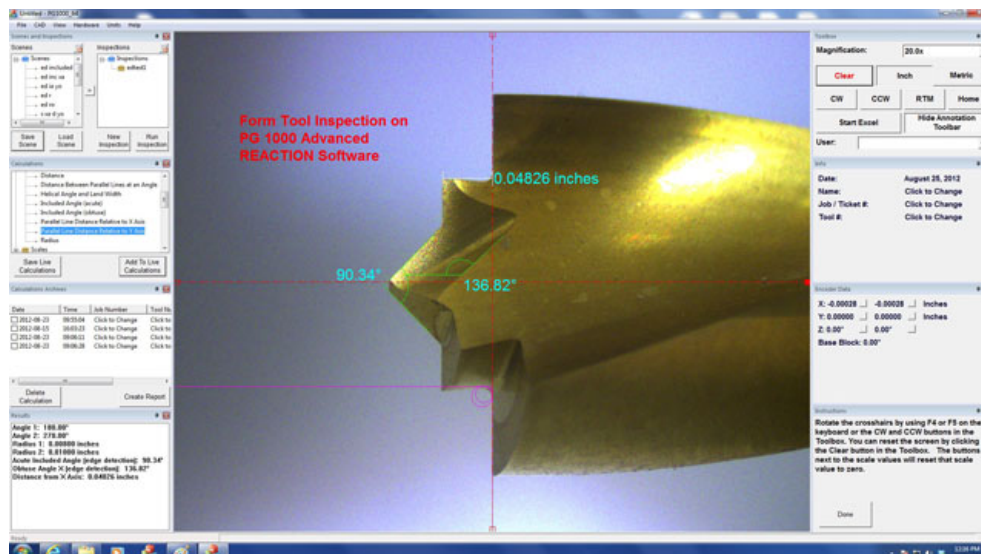
Cutting Edge Inspection for today's Cutting Tool Industry

While the basic cutting tool may look similar to what was made ten to twenty years ago the similarity ends there. Today's manufacturers are measuring tool tolerances in microns, finishes are highly polished and possibly diamond coated, making contactless inspection the only acceptable method. Traceability for ISO is no longer an option but a requirement from the reticle certification to gage calibration reports to the tool inspection report.

To meet these demands Euro-Tech has designed the Euro Tech Advanced and Basic REACTION Series PG 1000 next generation inspection technology.

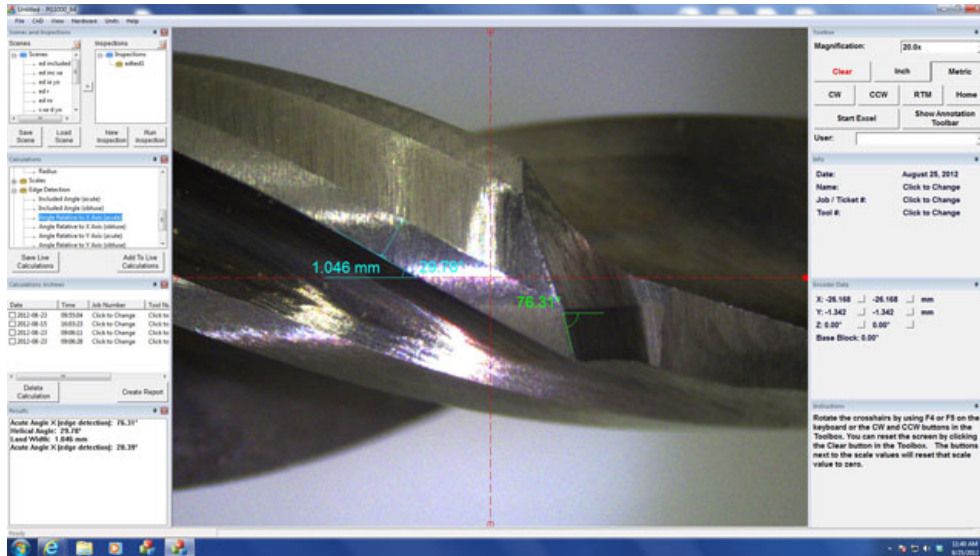
[Request a Quote](#)

[View a Brochure](#)



Screenshot from the PG 1000-400 Advanced REACTION Series.

[Learn more.](#)



Screenshot from the PG 1000-200 Basic REACTION Series. [Learn more](#)

[Forward this email](#)



Try it FREE today.

This email was sent to pat@eurotechcorp.com by pat@eurotechcorp.com | [Update Profile/Email Address](#) | Instant removal with [SafeUnsubscribe™](#) | [Privacy Policy](#).

Euro-Tech Corporation | N48 W14170 Hampton Avenue | Menomonee Falls | WI | 53051